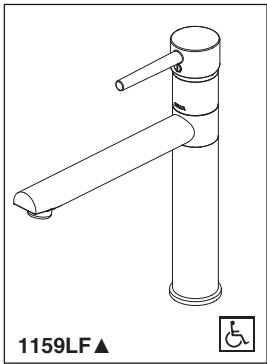




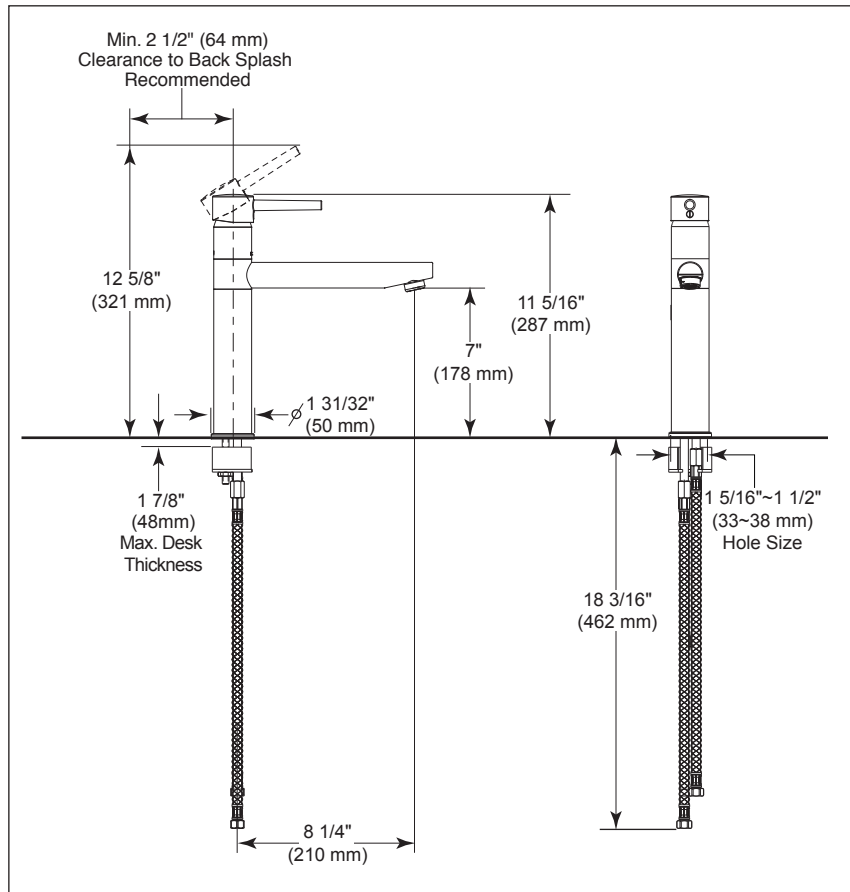
KITCHEN FAUCETS

- Trinsic® Series
- Single Handle Deck Mount
- 1 Hole Sink Applications



Submitted Model No.: _____

Specific Features: _____



▲ Designate proper finish suffix

STANDARD SPECIFICATIONS:

- Ceramic cartridge.
- 1 hole installation.
- 8 1/4" (210 mm) long, 7" (178 mm) high reach on spout, swings 360°.
- Maximum 1 7/8" (48 mm) deck thickness.
- Color coded plug button on handle for hot/cold identification.
- Maximum flow rate 1.8 gpm @ 60 PSI.

WARRANTY

- Lifetime limited warranty on parts (other than electronic parts and batteries) and finishes; or, for commercial users, for 5 years from date of purchase.
- 5 year limited warranty on electronic parts (other than batteries); or, for commercial users, for 1 year from the date of purchase. No warranty is provided on batteries.

COMPLIES WITH

- ASME A112.18.1 / CSA B125.1

Indicates compliance to ICC / ANSI A117.1

Verified compliant with 0.25% weighted average Pb content regulations.



55 E. 111th Street, Indianapolis, Indiana 46280
350 South Edgeware Road, St. Thomas, Ontario Canada N5P 4L1
© 2014 Masco Corporation of Indiana

Delta reserves the right (1) to make changes in specifications and materials, and (2) to change or discontinue models, both without notice or obligation. Dimensions are for reference only. See current full-line price book or www.deltafaucet.com for finish options and product availability.